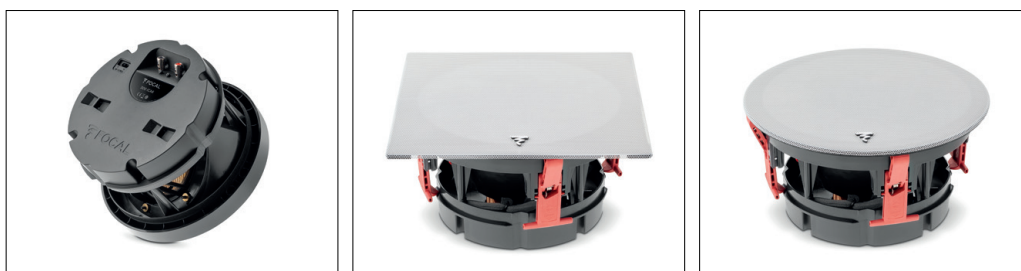
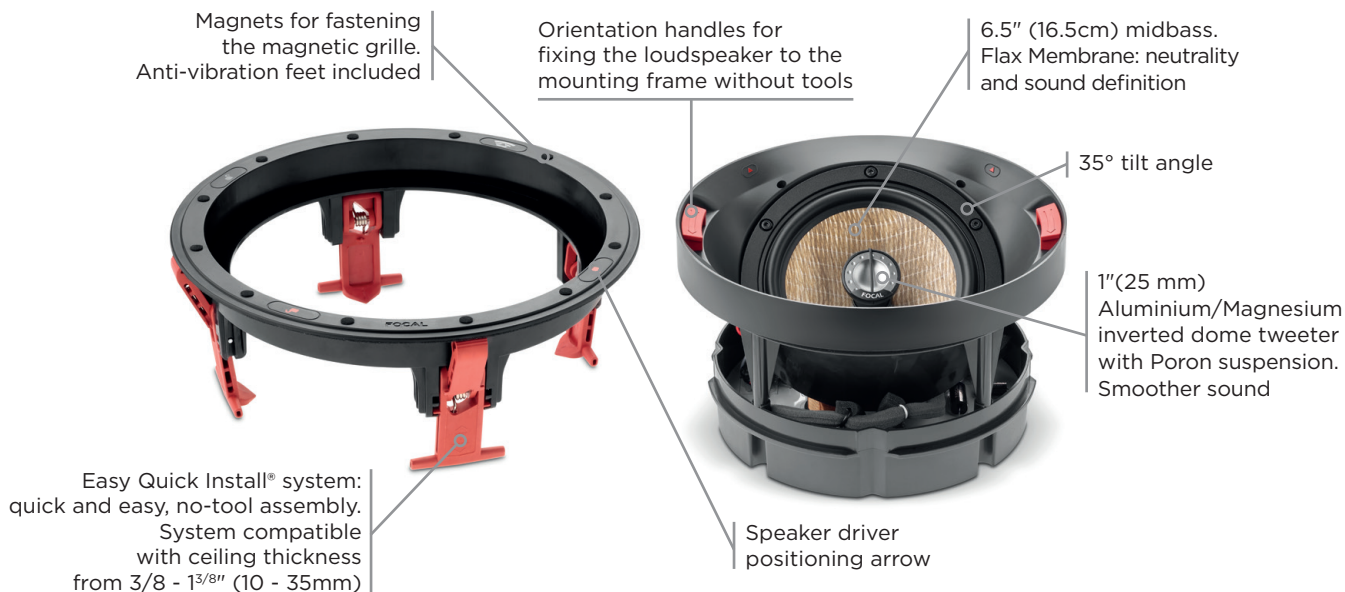


# 300 ICA6

## Product sheet

MADE IN  
FRANCE



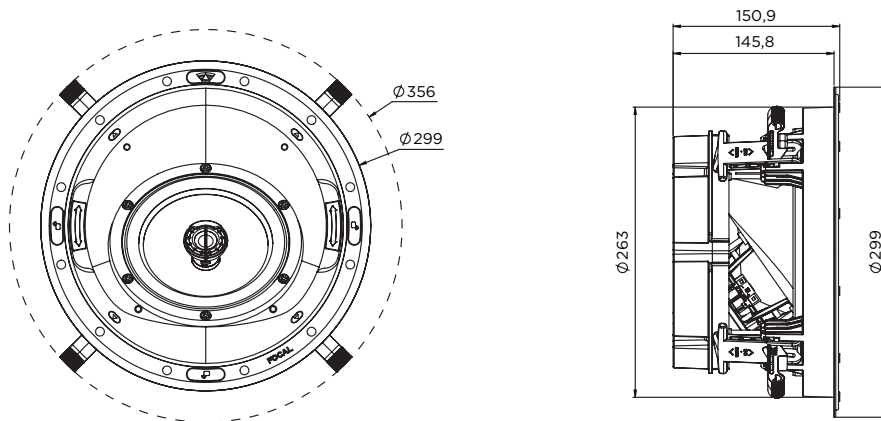
### Key points

- In-ceiling coaxial 2-way loudspeaker
- Quick, easy, no-tool product assembly
- Speaker drivers developed and manufactured in France by Focal
- Delivered with square and circular grilles ready for painting
- Black and white felt ready to stick
- Off-axis response control (tweeter position and gain adjustment)
- Speaker driver angled at 35°

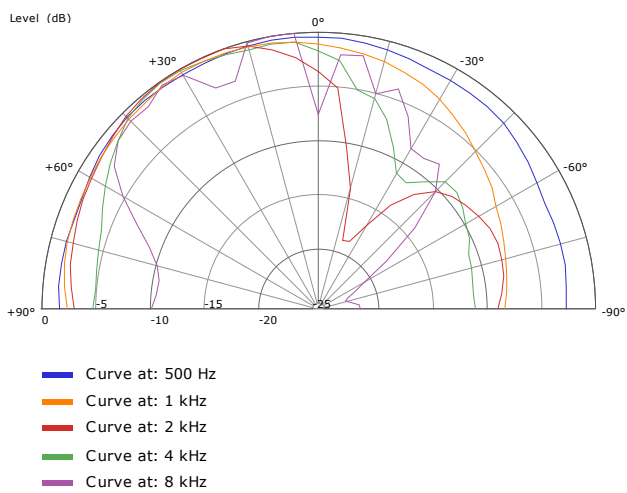
### Technical specifications

| Type of speaker               | 2-way in-ceiling   |
|-------------------------------|--|
| Speaker drivers               | 6 1/2" (16.5cm) Flax Mid-bass<br>1" (25mm) Aluminium/Magnesium inverted dome tweeter |
| Sensitivity (2.83V/1m)        | 89.5dB   |
| Bandwidth (+/-3dB)            | 65Hz - 28kHz   |
| Low-frequency cut-off (-6dB)  | 45Hz   |
| Nominal impedance             | 8 Ω  |
| Minimal impedance             | 4.8 Ω  |
| Recommended amp power         | 25 - 130W  |
| Size (Ø x depth)              | 11 3/4 x 5" (299x127mm)  |
| Mounting diameter (Ø)         | 10 3/8" (264mm)  |
| Depth from wall               | 5 3/4" (146mm)   |
| Ceiling thickness (min - max) | 3/8 - 1 3/8" (10mm - 35mm)   |
| Net weight (with grille)      | 6.6 lbs (3kg)  |
| Box size (WxDxH)              | 14 3/4 x 14 3/4 x 13 3/8" (375x375x340mm)  |
| Total weight (with packaging) | 11.7 lbs (5.3kg)   |

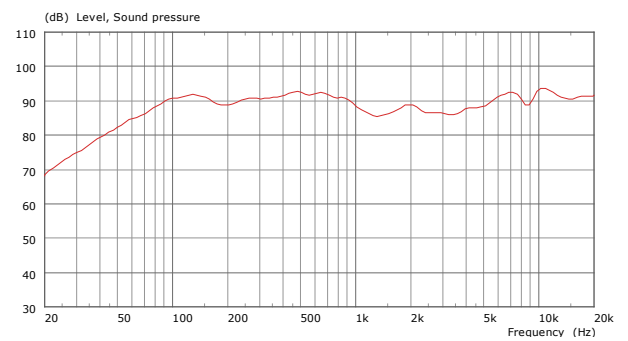
## Dimensions



## Directionality measurements



## Frequency response



## 300 ICA6 Levels calculation table

| Power/Distance | 1m     | 2m   | 5m   |
|----------------|--------|------|------|
| 1W (2.83V)     | 89.5dB | 84dB | 76dB |
| 5W (8.94V)     | 97dB   | 91dB | 83dB |
| 10W (12.6V)    | 100dB  | 94dB | 86dB |
| 20W (15.5V)    | 103dB  | 97dB | 89dB |

| Summary                | 125Hz | 250Hz | 500Hz | 1kHz       | 2kHz     | 4kHz       | 8kHz      |
|------------------------|-------|-------|-------|------------|----------|------------|-----------|
| NPA (2.83V/1m)(dB)     | 91    | 90    | 90    | 88         | 88       | 88         | 90        |
| Aperture angle at -6dB | 180°  | 180°  | 180°  | -60°/+180° | 0°/+180° | -20°/+180° | -20°/+60° |