



MARTEN



OSCAR
Trio

EST
MADE IN
SWEDEN
1998

NEW ERA DESIGN

OSCAR Trio

Oscar Trio, launch model for our new series, is a defining moment - the same Marten sound in a new build. Our chief designer Leif Olofsson crafted new technology to achieve the same performance that we've built our name on.



A TRUE MARTEN

Oscar Trio meets the demand for a reasonably-priced Marten speaker, without sacrifice to our renowned sound and quality. To achieve this we re-designed the build and created a bespoke driver.

The build offers exceptionally controlled and natural sound; true musicality that is the mark of a Marten speaker.

- Custom designed drivers
- True Marten sound
- 2-way
- Competitive price-point



CERAMIC CONES

To keep the same Marten sound we designed brand new drivers, allowing more control of the details.

Hard ceramic is light, yet extremely rigid, making it one of the best materials for speaker membranes - it's also known as Sapphire.

Our ceramic cones have a high internal damping factor, because of a refined electrochemical process. The membrane also has a high material resonance frequency, meaning distortion is minimal; offering a level of clarity that is the holy grail for high end speaker cones.



TECHNICAL SPECIFICATIONS

OSCAR Trio

Frequency range
27-20000 Hz +-3dB

Power rating
250 W

Sensitivity
89 dB / 1 m / 2.83V

Impedance
6 ohm (3.1 Ohm min)

Type
2-way

Crossover frequency
Second order 2500 Hz

Terminals
Single-wiring WBT Nextgen

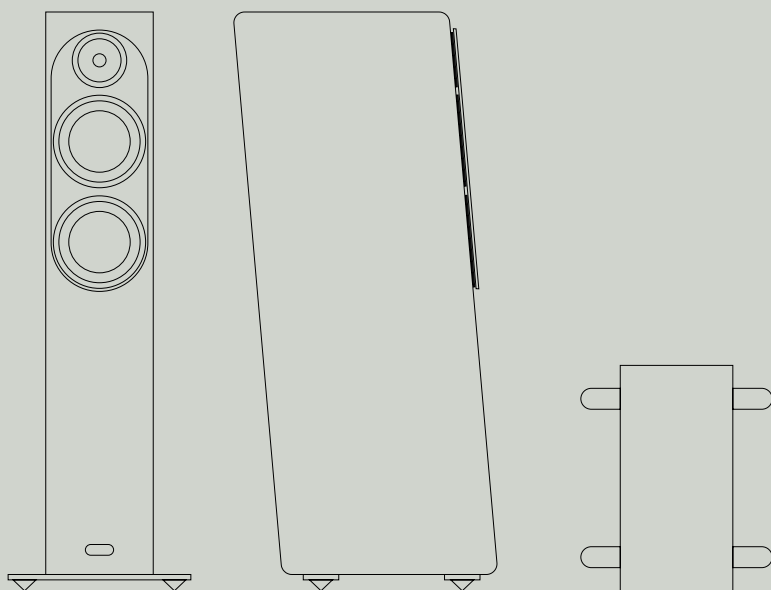
Internal wiring
Jorma Design

Cabinet
25 mm fibre laminate Matte Walnut,
Piano Black or White

Stands
Brushed Aluminium with Marten Pucks and Cones

Dimensions W x H x D
20 x 109 x 40 cm (11.4 x 42.9 x 15.7")

Net weight
30 Kg (67 lbs)



Find out more at marten.se/oscartrio

Marten
Flöjelbergsgatan 18
431 37 Mölndal
Sweden

Tel +46 31 20 72 00
info@marten.se
facebook.com/martenaudio


MARTEN